



Contents and Selector Chart

ONE-WAY

Coupling Series	Page	Coupling Style			Interchange				Body Size					Body Material				Locking Mechanism				Options				
		MANUAL CONNECT	PUSH-TO-CONNECT	SAFETY COUPLING	INDUSTRIAL INTERCHANGE	ARO 210	TRU-FLATE	CEJN 320/RECTUS 25	HANSEN RL STYLE	HANSEN UNIQUE DESIGN	1/8 INCH	1/4 INCH	3/8 INCH	1/2 INCH	3/4 INCH	ALUMINUM	BRASS	STEEL (Zinc/Chromate Finish)	STAINLESS STEEL	PLASTIC (Acetal)	BALL LOCK	PIN LOCK	RING LOCK	PLASTIC FINGERS	SLEEVE LOCK	SEAL MATERIALS (Various)
1000	11	●			●						●					●		●		●				●	●	●
400	12	●			●	●						●				●				●				●	●	●
500	13	●			●							●				●				●				●	●	
3000	15		●		●						●					●					●			●	●	●
4000	16		●		●						●					●					●			●	●	●
5000	17		●		●						●					●					●			●	●	
6000	18		●		●									●		●					●			●	●	
P-30	19		●		●						●							●				●				
P-40	19		●		●						●							●				●				
Auto-Flo 23	21		●		●	●	●				●					●				●						
Auto-Flo 24	21		●				●				●					●				●						
30SVS	22	●		●	●						●						●			●				★		
40SVS	22	●		●	●						●						●			●				★		
50SVS	22	●		●	●						●						●			●				★		
60SVS	22	●		●	●						●						●			●				★		
Safeline	23		●	●	●						●				●	●				●						
180/280	24	●						●								●				●					●	
100	25	●						●			●					●				●				●	●	●
600/700	27	●						●			●					●				●				●	●	●
2-RL	31		●								●					●					●		▼	●	●	●
3-RL	32		●								●					●					●		▼	●	●	●

★ Sleeve lock is standard with SVS couplings.

▼ Sleeve lock is automatic with RL couplings.

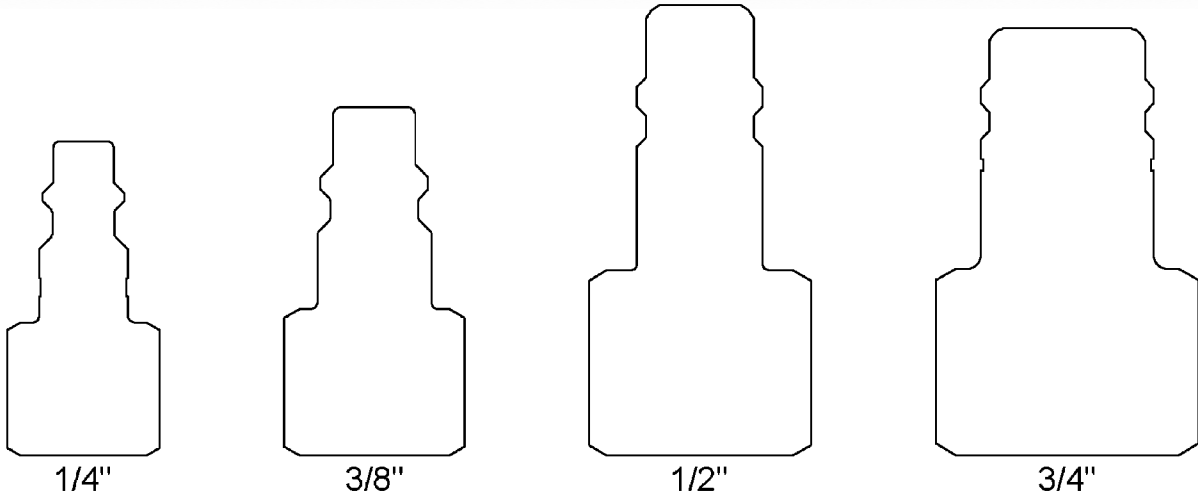
ONE-WAY PLUG

Interchange Chart

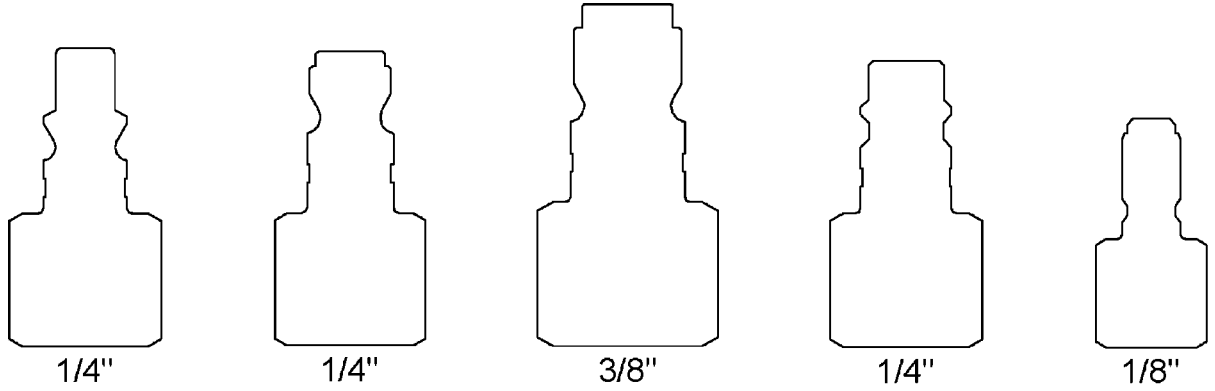


ONE-WAY

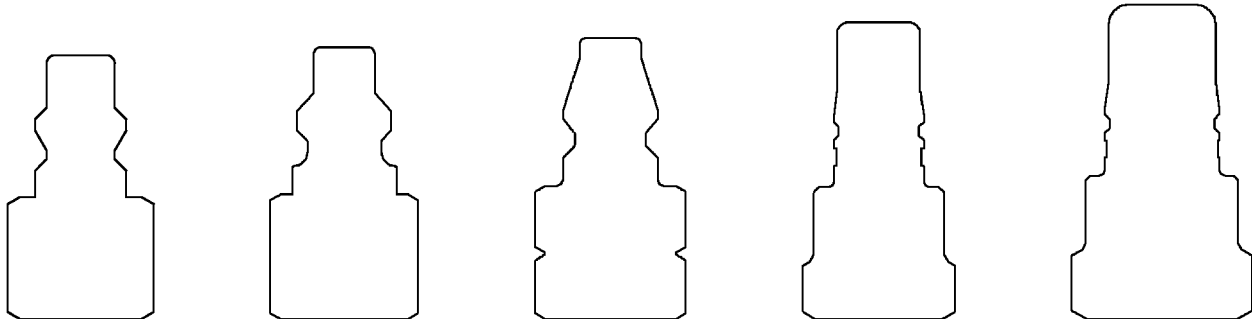
The plug profiles shown below are actual size. This chart can be used to help select Hansen one-way couplings. Industrial Interchange plugs of the appropriate size connect with the following Series sockets: 1000, 400, 500, 3000, 4000, 5000, 6000, Auto-Flo 23, P-30, P-40 and SVS. ARO 210 and Tru-Flate 1/4" plugs connect with Auto-Flo 23 sockets. Tru-Flate 3/8" plugs connect with Series 400 sockets. Auto-Flo 24 plugs interchange with CEJN 320 and Rectus 24. The bottom row of this chart shows unique Hansen plug designs.



Industrial Interchange



ARO 210 Tru-Flate Tru-Flate Auto-Flo 24 180/280



100 600 700 2RL 3RL