

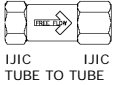
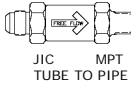
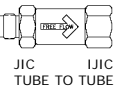
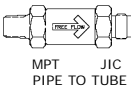
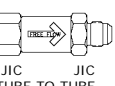
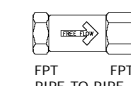
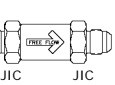
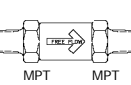
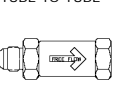
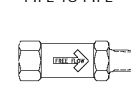
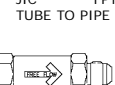



KEPNER PRODUCTS COMPANY

ESTABLISHED IN 1948

Part Numbers: Kep-O-seal® Check Valve Fixed Settings 1/8" to 3" sizes

PORT CONFIGURATIONS

19 IJIC - IJIC		7 JIC - MPT	
	JIC TUBE TO TUBE		JIC TUBE TO PIPE
17 JIC - IJIC		5 MPT - JIC	
	JIC TUBE TO TUBE		MPT PIPE TO TUBE
15 IJIC - JIC		4 FPT - FPT	
	IJIC TUBE TO TUBE		FPT PIPE TO PIPE
13 JIC - JIC		3 MPT - MPT	
	JIC TUBE TO TUBE		MPT PIPE TO PIPE
11 JIC - FPT		2 FPT - MPT	
	JIC TUBE TO PIPE		FPT PIPE TO PIPE
9 FPT - JIC		1 MPT - FPT	
	FPT PIPE TO TUBE		MPT PIPE TO PIPE

PART NUMBER EXAMPLE

4 06 C - 1

PORT SIZES

04 = 1/8 PIPE - 1/4 TUBE	16 = 1" PIPE - 1" TUBE
06 = 1/4 PIPE - 3/8 TUBE	20 = 1 1/4 PIPE - 1 1/4 TUBE
08 = 3/8 PIPE - 1/2 TUBE	24 = 1 1/2 PIPE - 1 1/2 TUBE
10 = 1/2 PIPE - 5/8 TUBE	32 = 2" PIPE - 2" TUBE
12 = 3/4 PIPE - 3/4 TUBE	48 = 3" PIPE (CONSULT FACTORY)

CONSTRUCTION MATERIALS

A = ALUMINUM	D = 303 STAINLESS STEEL
B = BRASS	F = 316 STAINLESS STEEL
C = STEEL	

O-RING SEALS

1 = BUNA-N	9 = NEOPRENE	18 = VITON®
25 = ETHYLENE PROPYLENE	OTHERS AVAILABLE	

CRACK PRESSURE

1 - 2 PSI CRACK (STD.)

Valve performance is dependent on proper selection, application, installation and maintenance. Consult Factory.

Kepner Products Company, Villa Park, IL 630.279.1550 E-mail: kepner@kepner.com