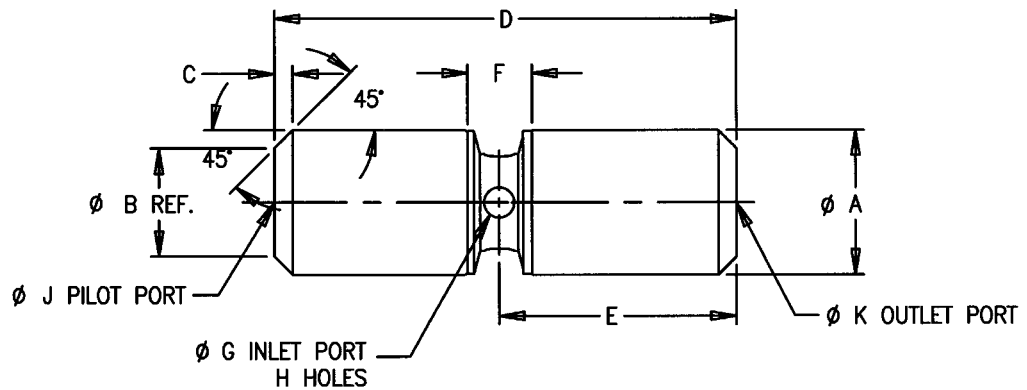




KEPNER PRODUCTS COMPANY

ESTABLISHED IN 1948

Dimensions: Series 2740 Kepsel® Cartridge Lock Valve



NOTES:

- 1) ALL DIMENSIONS ARE FOR REFERENCE ONLY.
- 2) VALVE MUST BE HELD END-FOR-END IN USE.

MODEL	A	B REF	C	D	E	F	G	H	J	K	EXTERNAL SEAL O-RING SIZE
2741	.374 .369	.19	.09	1.207 1.192	.66	.22	.06	4	.10	.10	010
2743	.624 .619	.44	.09	1.598 1.583	.84	.25	.17	2	.22	.22	014
2746	.749 .744	.56	.09	2.391 2.406	1.23	.33	.16	4	.30	.33	016
2750	1.187 1.183	1.00	.09	2.952 2.967	1.59	.48	.25	4	.55	.48	023
2752	1.436 1.431	1.25	.09	3.914 3.929	1.98	.67	.31	4	.25	.61	027

Valve performance is dependent on proper selection, application, installation and maintenance. Consult Factory.

Kepner Products Company, Villa Park, IL 630.279.1550 E-mail: kepner@kepner.com