

# Excelon® Filter-Filter

## Combination Units

F72G/C, F73G/C, F74G/C

**True modularity with Norgren Quikclamp® connections**  
**General purpose and oil removal filter provide high efficiency oil removal and particle removal down to 0.01 µm**  
**Quick release bayonet bowl**  
**Highly visible, prismatic liquid level indicator lens**  
**Service indicator turns from green to red when the filter element needs to be replaced**



## Technical data

Fluid:

Compressed air

Maximum pressure:

Transparent bowl w/manual drain:

150 psig (10 bar)

(72) 116 psig (8 bar)

Metal bowl w/manual drain:

250 psig (17 bar)

(72) 116 psig (8 bar)

Operating temperature\*:

Transparent bowl:

-30° to 125°F (-34° to 50°C)

Metal bowl:

-30° to 150°F (-34 to 65°C)

\* Air supply must be dry enough to avoid ice formation at temperatures below 35°F (2°C).

Particle removal:

down to 0.01 µm

Oil removal:

to class level 2: 0.01 mg/m<sup>3</sup>

Materials

Body: Zinc, or aluminum

Bowl: (72) zinc, (73, 74) aluminum polycarbonate

Metal bowl liquid level indicator lens:

Transparent nylon

F72G, F73G, F74G element: sintered

polypropylene

F72C, F73C, F74C element: synthetic

fiber and polyurethane foam

Elastomers: neoprene and nitrile

Service indicator materials

Body: transparent nylon

Internal parts: acetal

Spring: stainless steel

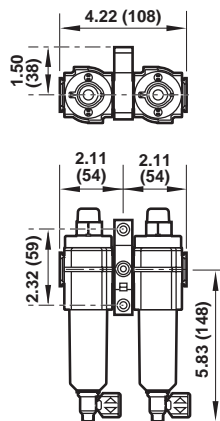
Elastomers: nitrile

## Ordering information

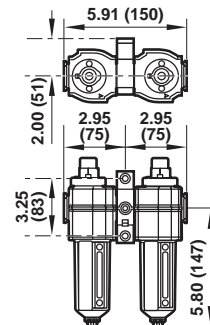
Models listed include PTF threads, service indicator, automatic drain, and metal bowl with level indicator.

Port Size	Model	Weight lb (kg)
1/4"	H72A 2AB AE1 NNN LNN	2 (0.91)
3/8"	H73A 3AB AD1 NNN DNN	2.7 (1.22)
1/2"	H74A 4AB AD1 NNN DNN	4.06 (1.84)
3/4"	H74B 6AB AD1 NNN DNN	4.61 (2.09)

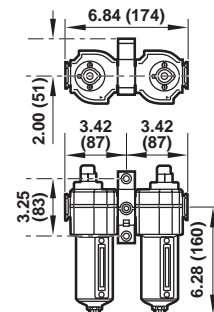
Standard Type H72A-  
Shown with optional Quikclamp®  
wall bracket.



Standard Type H73A-  
Shown with optional  
Quikclamp® wall bracket.



Standard Type H74A Shown  
(H74B Similar)  
Shown with optional Quikclamp®  
wall bracket.



# Excelon® Filter/Regulator-Lubricator Combination Units

B72/L72, B73/L73, B74/L74

True modularity with Norgren Quikclamp® connections

Quick release bayonet bowl

Lubricator flow sensor provides a nearly constant oil/air ratio over a wide range of air flows

All around (360°) visibility of the lubricator sight-feed dome simplifies installation and adjustment

Regulator balanced valve minimizes effect of variation in the inlet pressure on the outlet pressure

## Technical data

Fluid:

Compressed air

Maximum pressure:

Transparent bowl: 150 psig (10 bar)

Metal bowl (manual or semi automatic drain): 250 psig (17 bar)

(72) 150 psig (10 bar)

Operating temperature\*:

Transparent bowl:

0° to 125°F (-20° to 50°C)

Metal bowl:

0° to 150°F (-20° to 65°C)

\* Air supply must be dry enough to avoid ice formation at temperatures below 35°F (2°C).

Particle removal:

5 µm, 25 µm, or 40 µm filter element

Materials

Body: zinc or aluminum

Bonnet: acetal or aluminum

Bowl:

Metal bowl: (72) zinc

(73, 74) aluminum

polycarbonate

Metal bowl liquid level indicator lens:

transparent nylon

Sight-feed dome: transparent nylon

Element: sintered polypropylene

Elastomers: neoprene, nitrile

Other combinations are available. Please consult Norgren for more information.



C72H

C74H

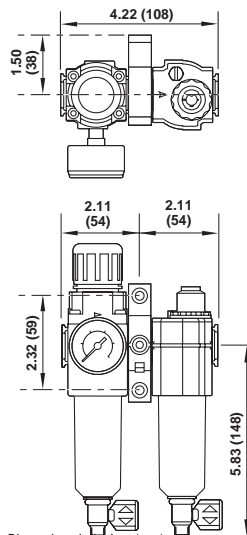
## Ordering information

Models include PTF threads. Filter/Regulator (F/R) has knob adjustment, automatic drain, metal bowl with level indicator, 40 µm element, relieving diaphragm, and 150 psig (10 bar) regulating spring, and gauge. Lubricator (L) is a Micro-Fog model with 1/4 turn manual drain and metal bowl with level indicator.

Combination Unit Type	Port Size	Model*	Weight lb (kg)
Filter/Regulator-Lubricator	1/4"	C72H 2AK AE3 RMG QEB	2.37 (1.08)
(F/R L)	3/8"	C73H 3AK AD3 RMG QDB	3.0 (1.36)
(F/R L)	1/2"	C74H 4AK AD3 RMG QDB	5.07 (2.30)
	3/4"	C74H 6AK AD3 RMG QDB	5.00 (2.27)

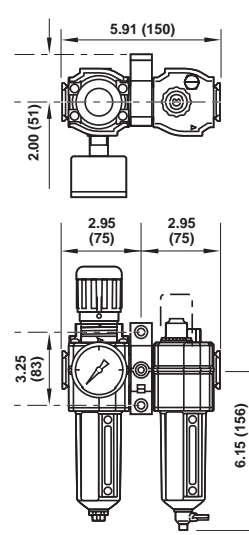
\* For oil fog lubricator use "J" in the 4th position.

C72H-

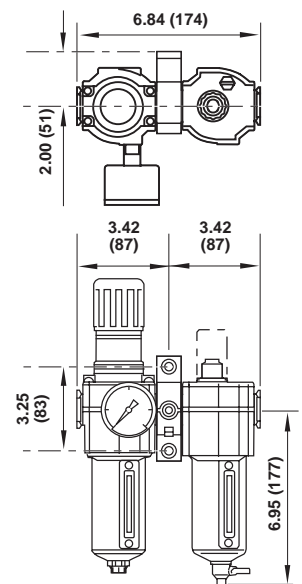


Dimensions in inches (mm).

C73H-



C74H-



# Excelon® Filter-Regulator-Lubricator

## Combination Units

72, 73, and 74 Series

### Compact design

Filter has high efficiency water and particle removal

Push to lock adjusting knob with tamper resistant option

Nearly constant oil density output with varying air flow

Use Micro-Fog models in applications containing one or more points of lubrication.

Use Oil-Fog models to lubricate a single tool, cylinder, or other air driven device.

### Technical data

Fluid:

Compressed air

Maximum pressure

Transparent bowl: 150 psig (10 bar)

Metal bowl w/manual drain:

250 psig (17 bar)

(72) 150 psig (10 bar)

Operating temperature\*

Transparent bowl:

0° to 125°F (-20° to 50°C)

Metal bowl:

(72) 0° to 150°F (-20° to 65°C)

(73, 74) -30° to 175°F (-34° to 80°C)

\* Air supply must be dry enough to avoid ice formation at temperatures below 35°F (2°C).

Particle removal:

5 µm, or 40 µm filter element

Materials

Body: (72) zinc (73, 74) aluminum

Bonnet: (72) acetal (73, 74) aluminum

Regulator bottom plug: acetal

Bowl: (72) zinc (73, 74) aluminum or polycarbonate

Metal bowl liquid level indicator lens: transparent nylon

Sight-feed dome: transparent nylon

Element: sintered polypropylene

Elastomers: neoprene, nitrile



C72A



C74A

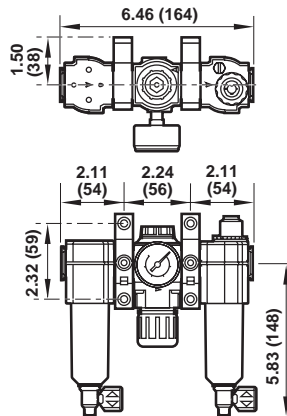
### Ordering information

Models listed include PTF threads. Filter (F) includes automatic drain, metal bowl with level indicator, and a 40µm element. Regulator (R) is relieving type with knob adjustment, 150 psig (10 bar) regulating spring, and gauge. Lubricator (L) is a Micro-Fog model with 1/4 turn manual drain and metal bowl with level indicator.

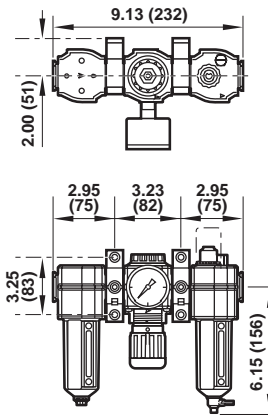
Combination Unit Type	Port Size	Model*	Weight lb (kg)
Filter-Regulator-Lubricator	1/4"	C72A 2AK AE3 RMG QEB	3.23 (1.47)
	3/8"	C73A 3AK AD3 RMG QDB	4.36 (1.98)
	1/2"	C74A 4AK AD3 RMG QDB	6.04 (2.74)
	3/4"	C74A 6AK AD3 RMG QDB	5.91 (2.68)

\* For oil fog lubricator use "B" in the 4th position.

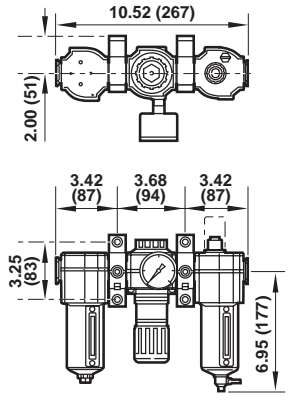
C72A-



C73A-



C74A-



Dimensions in inches (mm).

# Filter-Lubricator Combination Units

F72G-L72, F73G-L73, F74G-L74 Series

True modularity with Norgren  
Quikclamp® connections

Quick release bayonet bowl

Flow sensor design provides a nearly  
constant oil/air ratio over a wide  
range of air flows

Highly visible, prismatic liquid level  
indicator lens

All around (360°) visibility of the  
sight-feed dome simplifies  
installation and adjustment

Use Micro-Fog models in applications  
containing one or more points of lubrication.

Use Oil-Fog models to lubricate a single tool,  
cylinder, or other air driven device.

## Technical data

Fluid:

Compressed air

Maximum pressure:

Transparent bowl: 150 psig (10 bar)

Metal bowl: (72) 150 psig (10 bar)

(74) 250 psig (17 bar)

Operating temperature\*:

Transparent bowl:

0° to 125°F (-20° to 50°C)

Metal bowl:

(72) 0° to 150°F (-20° to 65°C)

(73, 74) -30° to 175°F (-34° to 80°C)

\* Air supply must be dry enough to avoid ice formation at  
temperatures below 35°F (2°C).

Particle removal:

5 µm or 40 µm filter element

Materials

Body: zinc

Bowl: zinc, aluminum, or polycarbonate

Metal bowl liquid level indicator lens:

transparent nylon

Element: sintered polypropylene

Sight-feed dome: transparent nylon

Elastomers: neoprene, nitrile



C72C



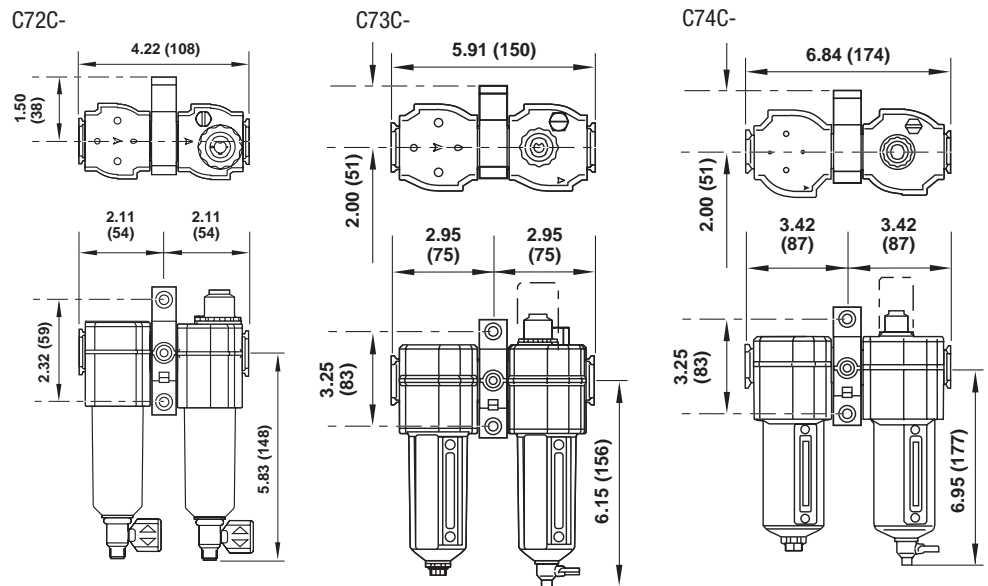
C74C

## Ordering information

Models listed include PTF threads. Filter (F) has automatic drain, metal bowl with level indicator, and a 40 µm element. Lubricator (L) is a Micro-Fog model with 1/4 turn manual drain and metal bowl with indicator.

Combination Unit Type	Port Size	Model*	Weight lb (kg)
Filter-Lubricator (F-L)	1/4"	C72C 2AN AE3 NNN QEB	2.3 (1.04)
	3/8"	C73C 3AN AD3 NNN QDB	2.6 (1.18)
	1/2"	C74C 4AN AD3 NNN QDB	3.84 (1.74)
	3/4"	C74C 6AN AD3 NNN QDB	3.75 (1.70)

\*For oil fog lubricator use "D" in the 4th position.



Dimensions in inches (mm).