

Olympian Plus General Purpose Filter

F64G, F68E General purpose filters

- Olympian Plus plug in system
- Effective liquid removal and positive solid particle filtration
- Large filter element area provides minimum pressure drop
- Optional visual service indicator turns from green to red when the filter element needs to be replaced
- Factory option electrical service life indicator provides electrical output when the filter element needs to be replaced



F64G



F68E

Technical data

- Fluid: Compressed air
- 64 Series
- Maximum pressure
- Guarded transparent bowl: 150 psig (10 bar)
- Metal bowl: 250 psig (17 bar)
- Operating temperature*: Guarded transparent bowl: -30° to 125°F (-34° to 50°C)
- Metal bowl: -30° to 175°F (-34° to 80°C)
- 68 Series
- Maximum pressure: 250 psig (17 bar)
- Operating temperature*: 0° to +175°F (-20° to +80°C)

* Air supply must be dry enough to avoid ice formation at temperatures below +35°F (+2°C).

Materials

- F64G
- Body: Zinc
- Yoke: Zinc
- Metal bowl: Aluminum
- Standard metal bowl prismatic liquid level indicator lens: Grilamid
- Optional metal bowl sight glass: Pyrex
- Optional transparent bowl: Polycarbonate
- Element: Polypropylene
- Elastomers: Nitrile
- F68E
- Body: Aluminum
- Yoke: Aluminum
- Bowl: Aluminum
- Liquid level indicator: Pyrex
- Element: Sintered bronze or polypropylene
- Elastomers: Nitrile

Ordering Information

Models listed are with PTF threads, metal bowl with sight glass, automatic drain, and 40 µm element.

| Port Size | Model | Flow† scfm (dm3/s) | Weight lb (kg) |
|-----------|--------------|--------------------|----------------|
| 1/2" | F64G-4AN-AD3 | 125 (59) | 2.91 (1.32) |
| 1" | F68E-8AN-AU3 | 403 (190) | 5.1 (2.33) |

†Typical flow with 40 µm element at 90 psig (6.3 bar) inlet pressure and a 5 psig (0.35 bar) pressure drop.

Options selector (F64G)

F 64 G - * * N - * D *

| Port size | Substitute | Element | Substitute | Drain | Substitute |
|----------------|------------|---------|------------|------------|------------|
| 1/4 | 2 | 5 µm | 1 | Manual | Q |
| 3/8 | 3 | 40 µm | 3 | Auto drain | A |
| 1/2 | 4 | | | | |
| 3/4 | 6 | | | | |
| No yoke | N | | | | |
| Threads | Substitute | | | | |
| PTF | A | | | | |
| ISO G parallel | G | | | | |
| No yoke | N | | | | |

Options selector (F68E)

F 68 E - * * * - * * *

| Port size | Substitute | Element | Substitute | Bowl | Substitute | Drain | Substitute |
|------------------------|------------|---------|------------|----------------------------------|------------|------------------|------------|
| 3/4 | 6 | 5 µm | 1 | 1 qt | C | Manual, 1/4 turn | Q |
| 1 | 8 | 50 µm | 3 | 1 qt with liquid level indicator | U | Auto drain | A |
| 1-1/4 | A | | | | | | |
| 1-1/2 | B | | | | | | |
| No yoke | N | | | | | | |
| Threads | Substitute | | | | | | |
| PTF | A | | | | | | |
| ISO G parallel | G | | | | | | |
| No yoke | N | | | | | | |
| Service life indicator | Substitute | | | | | | |
| Mechanical | D | | | | | | |
| Electrical | E | | | | | | |
| Without | N | | | | | | |

Olympian Plus General Purpose Filter

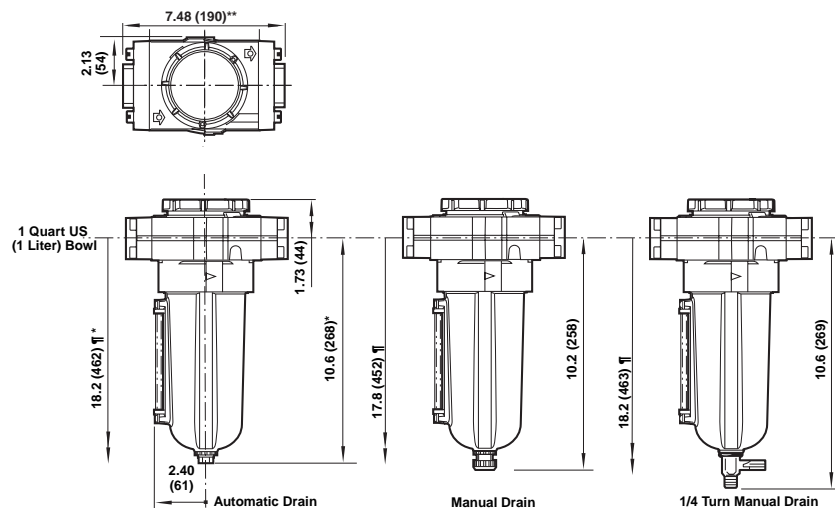
F64G, F68G General purpose filters

Dimensions in inches (mm)

Accessories

| | Bracket kit | Bracket kit | 3/2 Shut-off valve | Single Yoke | Double Yoke | Service Kit & elements | |
|------|-------------|-------------|--------------------|--------------|--------------|------------------------|--------------------------------------|
| | | | | | | | |
| F64G | 1/4 | - | 74504-50 | T64E-2AB-P1N | Y64A-2AA-N1N | Y64A-2AA-N2N | F64G Seal & gasket 4380-200 |
| | 3/8 | - | 74504-50 | T64E-3AB-P1N | Y64A-3AA-N1N | Y64A-3AA-N2N | Filter element 5 µm 4338-01 |
| | 1/2 | - | 74504-50 | T64E-4AB-P1N | Y64A-4AA-N1N | Y64A-4AA-N2N | Filter element 40 µm 4338-02 |
| | 3/4 | - | 74504-50 | T64E-6AB-P1N | Y64A-6AA-N1N | Y64A-6AA-N2N | F68G Seal & gasket 4380-300 |
| F68G | 1/2 | 18-001-979 | - | T68E-4AB-B2N | Y68A-4AN-N1N | Y68A-4AN-N2N | Element 5 µm (1 quart bowl) 5311-01 |
| | 3/4 | 18-001-979 | - | T68E-6AB-B2N | Y68A-6AN-N1N | Y68A-6AN-N2N | Element 5 µm (1 quart bowl) 5311-01 |
| | 1 | 18-001-979 | - | T68E-8AB-B2N | Y68A-8AN-N1N | Y68A-8AN-N2N | Element 40 µm (1 quart bowl) 5311-03 |
| | 1-1/4 | 18-001-978 | - | T68E-AAB-B2N | Y68A-AAN-N1N | Y68A-AAN-N2N | Element 5 µm (1 quart bowl) 5311-01 |
| | 1-1/2 | - | - | T68E-BAB-B2N | Y68A-BAN-N1N | Y68A-BAN-N2N | Element 40 µm (1 quart bowl) 5311-03 |

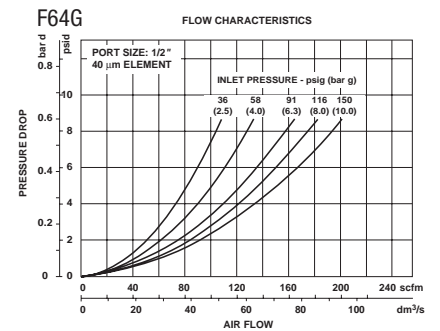
F68E



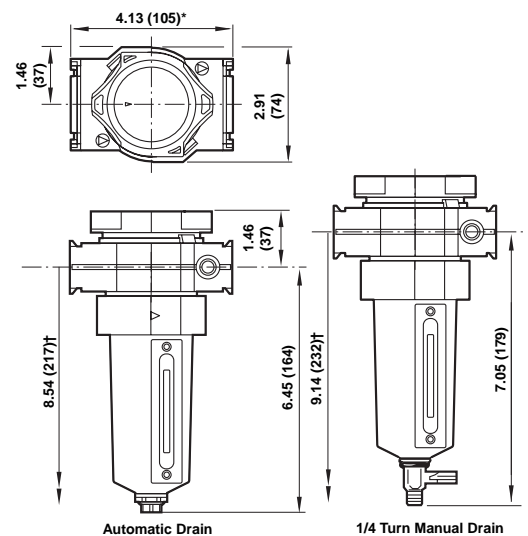
*Dimension also applies to closed bottom bowl.
 ** For 1-1/4" and 1-1/2" ported yokes, add 0.39" (10 mm).

† Minimum clearance required to remove bowl.

Typical Performance Characteristics



F64G

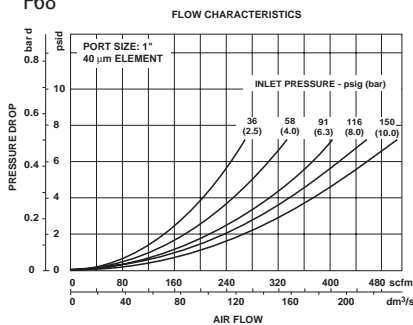


* 6.18" (157 mm) for 3/4" models

† Minimum clearance required to remove bowl.

Typical Performance Characteristics

F68



Olympian Plus Oil Removal

(Coalescing) Filter

F64C/H, F68C/H

- Olympian Plus plug in design
- High efficiency oil and particle removal
- Quick release bayonet bowl
- High visibility prismatic sight glass
- Coalescing element service indicator
- Install a pre-filter with a 5 µm filter element upstream of the filter for optimum coalescing element life.

Technical data

- Fluid: Compressed air
- Maximum pressure: 250 psig (17 bar)
- Guarded transparent bowl: 150 psig (10 bar)
- Operating temperature*: 0° to +150°F (-20° to +65°C)
- Guarded transparent bowl: -30° to 125°F (-34° to 50°C)
- * Air supply must be dry enough to avoid ice formation at temperatures below +35°F (+2°C).

Materials

- Body: Aluminum
- Yoke: Aluminum
- Bowl: Aluminum
- Liquid level indicator: Pyrex
- Element: Synthetic fiber and polyurethane foam
- Elastomers: Nitrile
- Service life indicator:
- Body: Transparent nylon
- Internal parts: Acetal
- Spring: Stainless steel
- Elastomers Nitrile



F64C/H



F68C/H

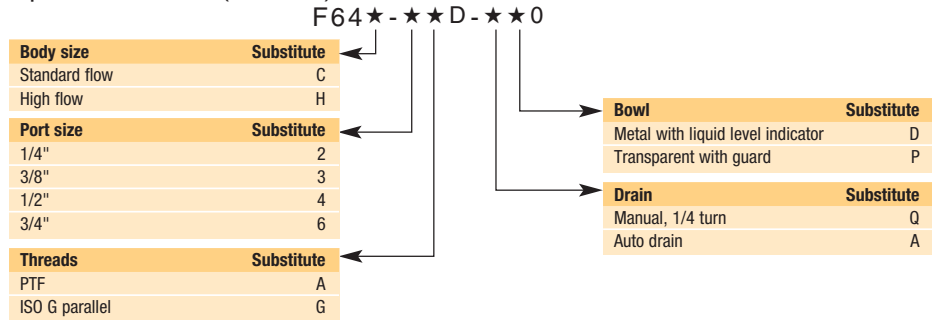
Ordering Information

Models listed are with PTF threads, metal bowl with sight glass, service indicator, and automatic drain.

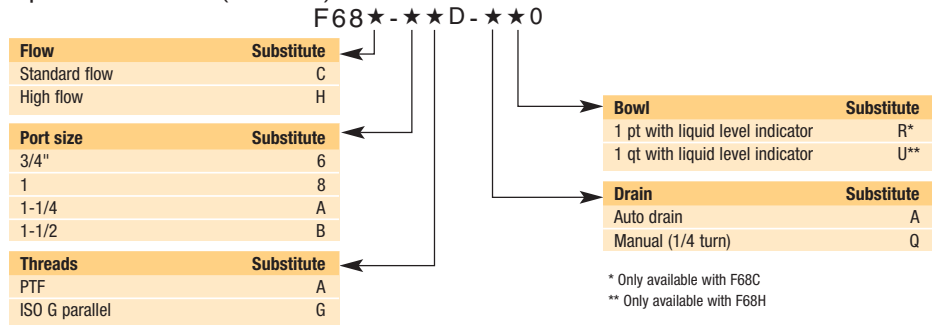
| Port Size | Model | Maximum Flow* scfm (dm3/s) | Weight lb (kg) |
|------------------------------------|--------------|-----------------------------|----------------|
| 1/4" | F64C-2AD-ADO | 34 (16) | 3.26 (1.48) |
| 1/2" | F64H-4AD-ADO | 60 (28) | 3.68 (1.67) |
| 3/4" | F64H-6AD-ADO | 60 (28) | 4.43 (2.01) |
| 1/2 (Standard flow, short element) | F68C-4AD-ARO | 1/2" ports: 74 (35) | 5.19 (2.36) |
| 3/4 (High flow, long element) | F68H-6AD-AUO | 3/4" ports: 74 (35) | 5.85 (2.66) |
| 1 (High flow, long element) | F68H-8AD-AUO | 1" ports: 127 (60) | 5.72 (2.60) |

* Maximum flow at 90 psig to maintain stated oil removal performance.

Options selector (F64C/H)



Options selector (F68C/H)



* Only available with F68C

** Only available with F68H

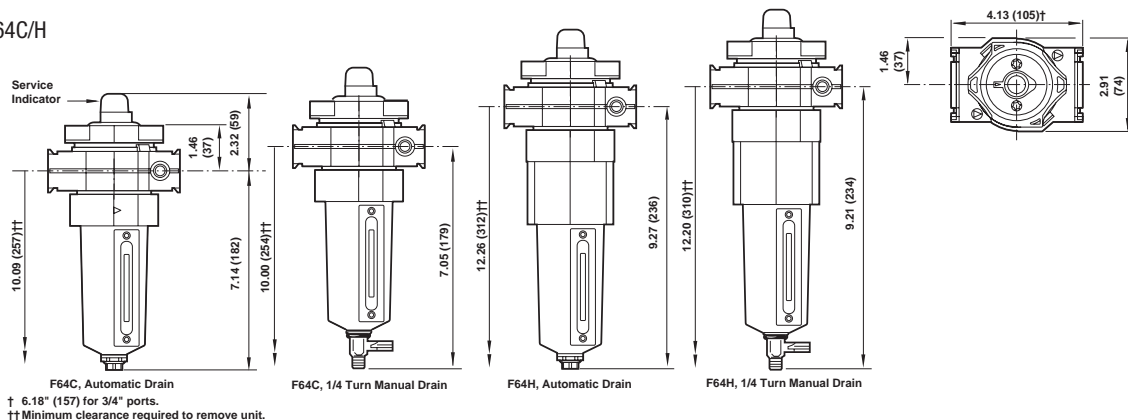
Olympian Plus Oil Removal (Coalescing) Filter

F64C/H, F68C/H
Dimensions in inches (mm)

Accessories

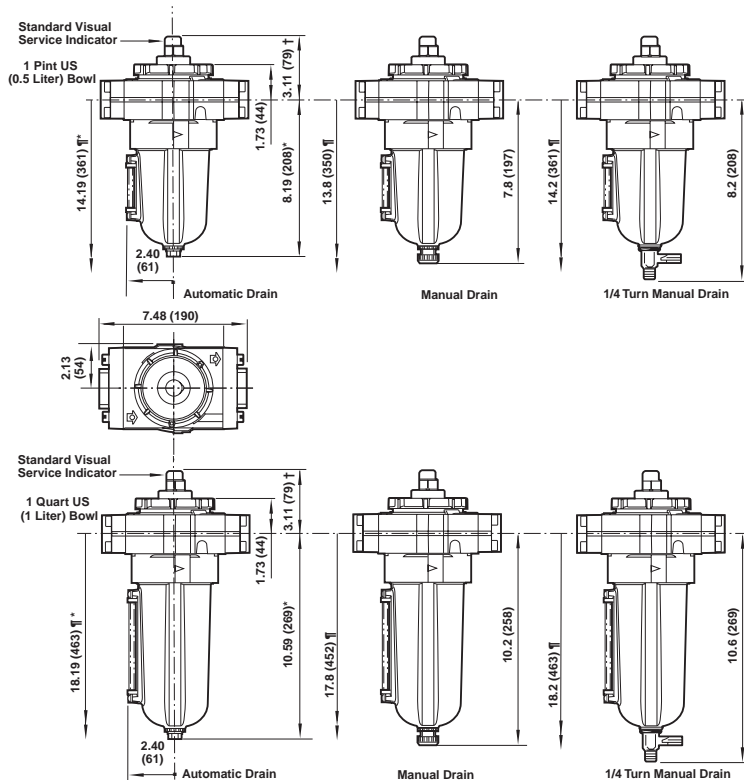
| | Bracket kit | Bracket kit | 3/2 Shut-off valve | Single Yoke | Double Yoke | Elements |
|-----------|-------------|-------------|--------------------|--------------|--------------|--------------------------------|
| | | | | | | |
| F64C/F64H | 1/4 | 74504-50 | T64E-2AB-P1N | Y64A-2AA-N1N | Y64A-2AA-N2N | F64G (pre-filter) 5 µm 4338-01 |
| | 3/8 | 74504-50 | T64E-3AB-P1N | Y64A-3AA-N1N | Y64A-3AA-N2N | F64C Coalescing 4344-01 |
| | 1/2 | 74504-50 | T64E-4AB-P1N | Y64A-4AA-N1N | Y64A-4AA-N2N | F64H Coalescing 4344-02 |
| | 3/4 | 74504-50 | T64E-6AB-P1N | Y64A-6AA-N1N | Y64A-6AA-N2N | |
| F68C/F68H | 1/2 | 18-001-979 | T68E-4AB-B2N | Y68A-4AA-N1N | Y648-4AA-N2N | Standard flow (F68C) 5351-08 |
| | 3/4 | 18-001-979 | T68E-6AB-B2N | Y68A-6AA-N1N | Y648-6AA-N2N | High flow (F68H) 5351-03 |
| | 1 | 18-001-979 | T68E-8AB-B2N | Y68A-8AA-N1N | Y648-8AA-N2N | |

F64C/H



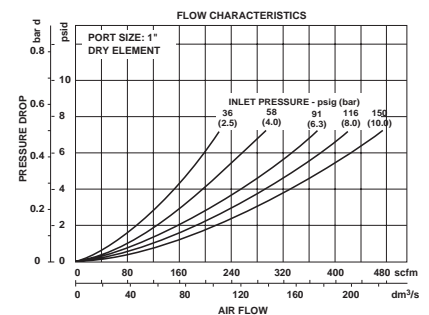
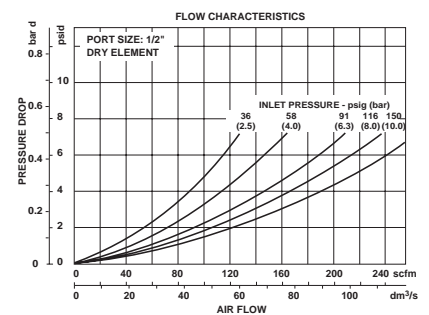
† 6.18" (157) for 3/4" ports.
†† Minimum clearance required to remove unit.

F68C/H



† For optional electrical service life indicator, add 0.02" (5 mm). * Dimension also applies to closed bottom bowl.
†† Minimum clearance required to remove bowl.

F68C/H



Olympian Plus Oil Vapor Removal Filter

F64B/L, F68V/Y

Olympian Plus plug in system

Adsorbing type activated carbon element removes oil vapors and most hydrocarbon odors

Long service life of filter element.
Minimum life of 400 hours when the required oil removal filter is installed upstream and the filtration temperature is between 70° to 80°F (20° to 26°C).

Oil and dirt contamination in outlet air within ISO 8573-1: Quality Class 1.7.1. F68 V/Y inlet air must be prefiltered with an F68G and F68 C/H



F64B/L



F68V/Y

Technical data

Fluid:

Compressed air

Maximum pressure:

250 psig (17 bar)

Guarded transparent bowl:

150 psig (10 bar)

Operating temperature*:

0° to +150°F (-20° to +65°C)

Guarded transparent bowl:

-30° to 125°F (-34° to 50°C)

* Air supply must be dry enough to avoid ice formation at temperatures below +35°F (+2°C).

Maximum remaining oil content:

0.01 mg/m³ at +70°F (+20°C) with an inlet concentration of 17 mg/m³.

Materials

Body: F64- Zinc, F68-Aluminum

Yoke: F64- Zinc, F68-Aluminum

Bowl: F64- Zinc, F68-Aluminum

Elastomers: Nitrile

Service Kits:

F64 B/L 4380-21

F68V/Y 4380-302

Ordering Information

Models listed are with PTF threads, and metal bowl.

| Port Size | Model | Maximum flow* scfm (dm ³ /s) | Weight lb (kg) |
|-------------------------------|--------------|--------------------------------------------|----------------|
| 1/4" | F64B-2AN-ARO | 15.0 (7.0) | 4.07 (1.83) |
| 1/2" | F64L-4AN-ARO | 23.3 (11.0) | 5.56 (2.50) |
| 3/4" | F64L-6AN-ARO | 23.3 (11.0) | 6.40 (2.88) |
| Standard flow (short element) | F68V-4AN-EMA | 53 (25) | 5.13 (2.33) |
| High flow (long element) | F68V-8AN-ECA | 127 (60) | 5.70 (2.59) |

*Maximum flow at 90 psig (6.3 bar) inlet pressure to maintain stated oil removal performance.

Options selector (F64B/L)

F64★-★★N-★★O

| Body size | Substitute |
|---------------|------------|
| Standard flow | B |
| High flow | L |

| Port size | Substitute |
|-----------|------------|
| 1/4" | 2 |
| 3/8" | 3 |
| 1/2" | 4 |
| 3/4" | 6 |

| Threads | Substitute |
|----------------|------------|
| PTF | A |
| ISO G parallel | G |
| None | N |

| Bowl | Substitute |
|-----------------------------------|------------|
| Metal with liquid level indicator | R |
| Transparent | T |

| Drain | Substitute |
|------------|------------|
| Manual | M |
| Auto drain | A |

Options selector (F68V/Y)

F68★-★★N-E★0

| Body size | Substitute |
|---------------|------------|
| Standard flow | V |
| High flow | Y |

| Port size | Substitute |
|-----------|------------|
| 1/2" | 4* |
| 3/4" | 6 |
| 1" | 8 |
| None | N |

| Threads | Substitute |
|----------------|------------|
| PTF | A |
| ISO G parallel | G |
| None | N |

| Bowl | Substitute |
|--------------------|------------|
| 1 pint (0.5 liter) | M* |
| 1 quart (1 liter) | C** |

Only available with F68V
** Only available with F68Y

Olympian Plus Oil Vapor Removal Filter

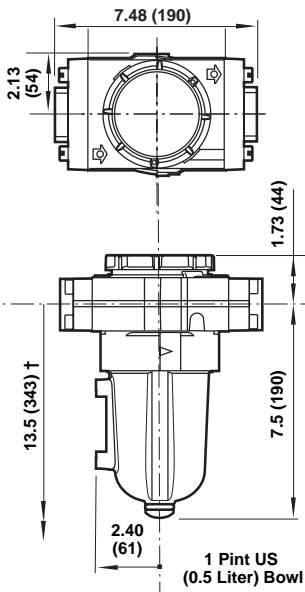
F64C/H, F68V/Y

Accessories

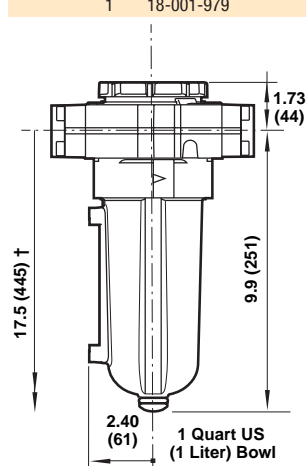
| | Bracket kit | Bracket kit | 3/2 Shut-off valve | Single Yoke | Double Yoke | Replacement Elements | |
|-----------|-------------|-------------|--------------------|--------------|--------------|------------------------------|---------|
| F64B/F64L | 1/4 | 74504-50 | T64E-2AB-P1N | Y64A-2AA-N1N | Y64A-2AA-N2N | F64G (pre-filter) 5 µm | 4338-01 |
| | 3/8 | 74504-50 | T64E-3AB-P1N | Y64A-3AA-N1N | Y64A-3AA-N2N | F64B Coalescing | 5350-99 |
| | 1/2 | 74504-50 | T64E-4AB-P1N | Y64A-4AA-N1N | Y64A-4AA-N2N | F64L Coalescing | 5350-98 |
| | 3/4 | 74504-50 | T64E-6AB-P1N | Y64A-6AA-N1N | Y64A-6AA-N2N | Integral pre-filter (F64B/L) | 3698-02 |
| F68V/Y | 1/2 | 18-001-979 | T68E-4AB-B2N | Y68A-4AN-N1N | Y68A-4AN-N2N | Activated carbon (F64B/L) | 5568-01 |
| | 3/4 | 18-001-979 | T68E-6AB-B2N | Y68A-6AN-N1N | Y68A-6AN-N2N | Standard Flow (F68V) | 665-72 |
| | 1 | 18-001-979 | T68E-8AB-B2N | Y68A-8AN-N1N | Y68A-8AN-N2N | High Flow (F68Y) | 665-70 |
| | | | | | | | |

Dimensions in inches (mm)

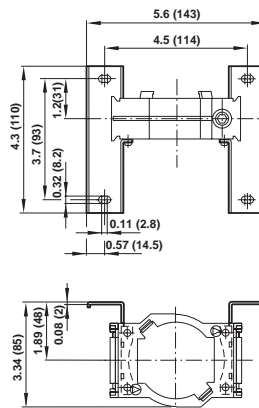
F68V/Y



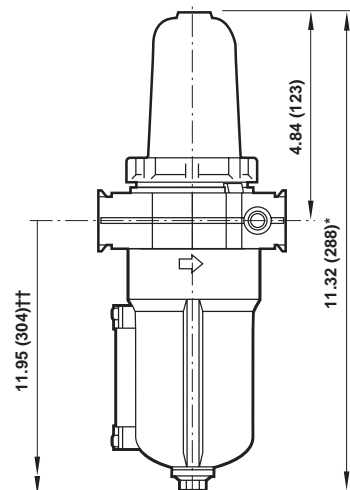
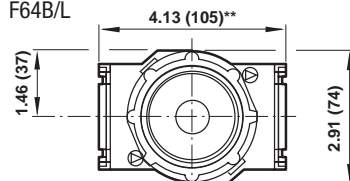
† Minimum clearance required to remove bowl.



Mounting bracket (F64B/L)



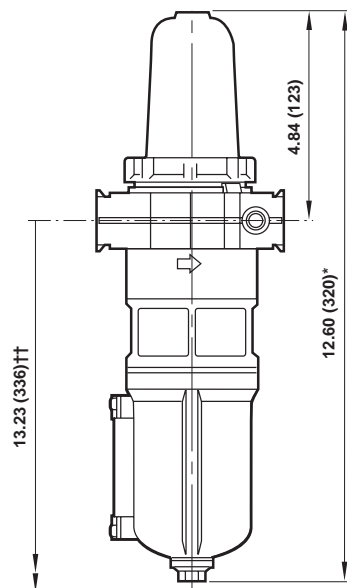
F64B/L



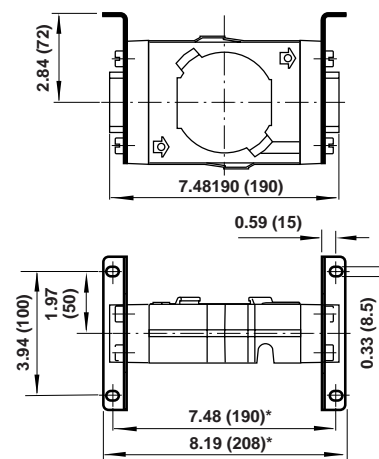
*Automatic drain shown. Subtract 0.3" (mm) for manual drain.

†† Minimum clearance required to remove bowl.

** 6.18 (157 mm) for models with 3/4" ports.



Mounting bracket (F68V/Y)



* Add 0.39" (10) for 1-1/4" ported yokes.

Olympian Plus Filter/Regulators

B64G, B68E/G

Olympian Plus plug in system
Effective liquid removal and particulate filtration
Large filter element area provides minimum pressure drop
High flow unit with large valve and diaphragm
Push to lock adjusting knob with tamper resistant option

Technical data

Fluid:

Compressed air

B64G

Maximum pressure

Guarded transparent bowl:
150 psig (10 bar)

Metal bowl: 250 psig (17 bar)

Operating temperature*

Guarded transparent bowl:
-30° to 125°F (-34° to 50°C)

Metal bowl:
-30° to 175°F (-34° to 80°C)

B68E/G

Maximum pressure :

250 psig (17 bar)

Operating temperature*:

0° to +175°F (-20° to +80°C)

* Air supply must be dry enough to avoid ice formation at temperatures below +35°F (+2°C).

Particle removal:

5, or 40 µm. Within ISO 8573-1, class 3 and Class 5

Materials

B64G

Body: Zinc

Bonnet: Aluminum

Yoke: Zinc

Metal bowl: Aluminum

Standard metal bowl prismatic liquid level indicator lens: Grilamid

Optional metal bowl sight glass: Pyrex

Optional transparent bowl:

Polycarbonate

Element: Sintered polypropylene

Elastomers: Nitrile

B68E/G

Body: Aluminum

Yoke: Aluminum

Bonnet: Aluminum

Adjusting knob: Acetal resin

Optional T-bar adjusting screw: Steel

Valve: Aluminum

Bowl: Aluminum

Sight glass: Pyrex

Element: Sintered bronze or polypropylene

Elastomers: Nitrile



B64G



B68E/G

Ordering Information

Models listed are with PTF threads, metal bowl with automatic drain, and 40 µm element.

| Port Size | Model | Flow† scfm (dm ³ /s) | Weight lb (kg) | Replacement elements |
|-----------|------------------|---------------------------------|----------------|----------------------|
| 1/2" | B64G-4AK-AD3-RMG | 225 (106) | 3.69 (1.66) | 4338-01 5 µm |
| 1" | B68E-8AK-AU3-RLN | 440 (215) | 6.20 (2.82) | 4338-02 40 µm |
| 1-1/4" | B68E-AAK-AU3-RLN | 440 (215) | 6.42 (2.92) | 1qt 5 µm 5511-01 |
| 1-1/2" | B68E-BAK-AU3-RLN | 440 (215) | 6.07 (2.76) | 1qt 40 µm 5511-03 |

Options selector B64G-***-***-R**

| Port Size | Substitute | Gauge | Substitute |
|-------------------|-------------------|------------------------------------------|-------------------|
| 1/4" | 2 | With | G |
| 3/8" | 3 | Without | N |
| 1/2" | 4 | Outlet Pressure Adjustment Range* | Substitute |
| 3/4" | 6 | 5 to 60 psig (0.3 to 4 bar) | F |
| | | 5 to 150 psig (0.3 to 10 bar) | M |
| | | 10 to 250 psig (0.7 to 17 bar) | S** |
| Threads | Substitute | Element | Substitute |
| PTF | A | 5 µm | 1 |
| ISO G parallel | G | 40 µm | 3 |
| Adjustment | Substitute | Bowl | Substitute |
| Knob | K | Metal with liquid level indicator | D |
| T-bar | T | Guarded Transparent | P |
| Drain | Substitute | | |
| 1/4 turn manual | Q | | |
| Automatic | A | | |

* Outlet pressure can be adjusted to pressures in excess of, and less than, those specified. Do not use these units to control pressures outside of the specified ranges.

** Units with 250 psig (17 bar) adjustment range are available only with the T-bar adjustment; therefore substitute T at the 7th digit and S at the 12th position.

Options selector B68E-***-***-U*-R**

| Bowl/Element Type | Substitute | Gauge | Substitute |
|-----------------------------------------|-------------------|------------------------------------------|-------------------|
| 1 quart (1 liter) bowl w/long element | E | With | G |
| 1 pint (0.5 liter) bowl w/short element | G | Without | N |
| Port Size | Substitute | Outlet Pressure Adjustment Range* | Substitute |
| 3/4" | 6 | 0 to 60 psig(0 to 4 bar) | F |
| 1" | 8 | 5 to 120 psig (0.4 to 8 bar) | L |
| 1-1/4" | A | 10 to 250 psig (0.7 to 17 bar) | S*** |
| 1-1/2" | B | Element | Substitute |
| Threads | Substitute | 5 µm | 1 |
| PTF | A | 40 µm | 3 |
| ISO G parallel | G | | |
| No Yoke (N in 5th position) | N | | |
| 1/8 Rc threaded gauge ports | N | | |
| No Yoke (N in 5th position) | N | | |
| PTF threaded gauge ports | A | | |
| Adjustment | Substitute | | |
| Knob | K | | |
| T-bar | T | | |
| Drain | Substitute | | |
| Automatic | A | | |
| Manual, 1/4 turn | Q | | |

† Only available with B68E

* Outlet pressure can be adjusted to pressures in excess of, and less than, those specified. Do not use these units to control pressures outside of the specified ranges.

** Typical flow with 150 psig (10 bar) inlet pressure, 90 psig (6.3 bar) set pressure and a 15 psig (1 bar) drop from set.

*** Units with 250 psig (17 bar) adjustment range are available only with the T-bar adjustment; therefore substitute T at the 7th digit and S at the 12th position.

Olympian Plus Filter/Regulators

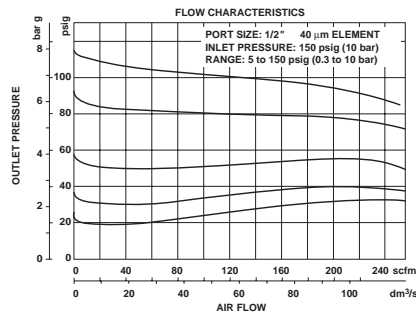
B64G, B68E/G
Dimensions in inches (mm)

Accessories

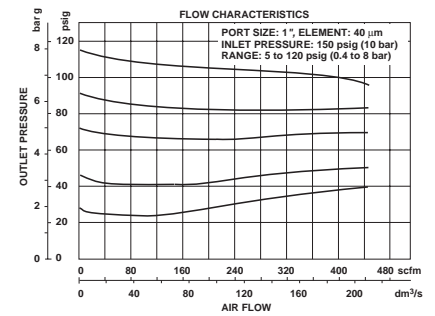
| Bracket kit | Bracket kit | Gauge 0 to 160 psig | 3/2 Shut-off valve | Single yoke | Double yoke | Tamper resistant kit | Service Kit |
|-------------|---------------------------------------------------------------|------------------------|------------------------------------------------------------------------------------------------|--------------------------------------------------------------|--------------------------------------------------------------|------------------------------------------|-----------------------------------------------|
| | | | | | | | |
| B64G | 74504-50 | 18-013-204 | T64E-2AB-P1N – G 1/4 T64E-3AB-P1N – G 3/8 T64E-4AB-P1N – G 1/2 | Y64A-2AA-N1N Y64A-3AA-N1N Y64A-4AA-N1N | Y64A-2AA-N2N Y64A-3AA-N2N Y64A-4AA-N2N | 4355-50 4355-50 4355-50 | Relieving 4383-200 Non-relieving 4383-201 |
| B68G | 18-001-979 – 3/4 18-001-979 – 1 18-001-978 – 1-1/4 – | 18-013-204 | T68E-6AB-B2N – G 3/4 T68E-8AB-B2N – G 1 T68E-AAB-B2N – G 1-1/4 T68E-BAB-B2N – G 1-1/4 | Y68A-4AN-N1N Y68A-6AN-N1N Y68A-AAN-N1N Y68A-BAN-N1N | Y68A-4AN-N2N Y68A-6AN-N2N Y68A-AAN-N2N Y68A-BAN-N2N | 4355-50 4355-50 4355-50 4355-50 | Relieving 4383-300 Non-relieving 4383-3201 |

Typical Performance Characteristics

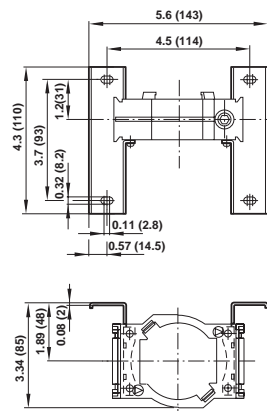
B64G



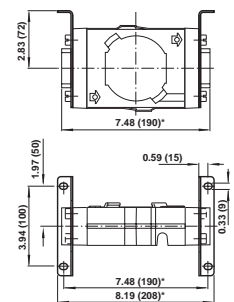
B68E/G



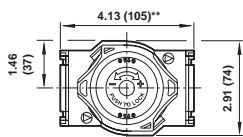
Mounting bracket (B64G)



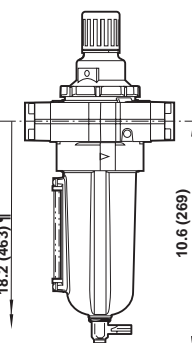
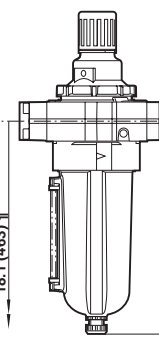
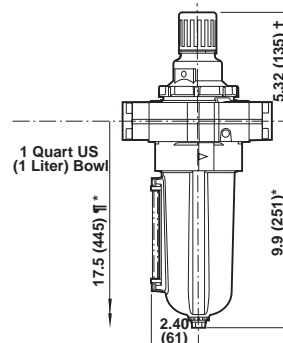
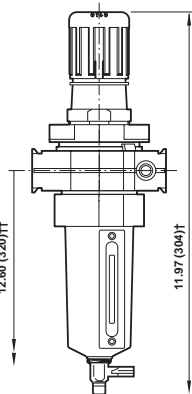
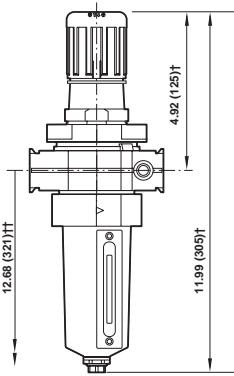
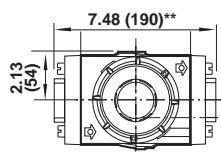
Mounting bracket (B68G)



B64G



B68E/G



** 4.13 (105) for 1/4", 3/8", and 1/2" ported yokes.
6.18" (157) for 3/4" ported yokes.
† Add 1.46 (37) for units with T-handle adjustment.
†† Minimum clearance required to remove unit.
Add 1.46 (37) for units with T-handle adjustment.

† Add 1.46" (37 mm) for unit with T-bar adjustment.

** For 1-1/4" and 1-1/2" ported yokes, add 0.39" (10 mm).

* Dimension also applies to closed bottom bowl.
†† Minimum clearance required to remove bowl.